



In-line sliding patio door
Installation and assembly
instructions

Issue 4



✓ In-line sliding patio door **Survey & Installation**

SECTION	DATE	ISS.	REFERENCE	PAGE
SURVEY & INSTALLATION	MAY 2014	11	TM-0002	2

General

BS 8213-4:2007 Code of Practice for the Survey and Installation of Windows and External Doorsets gives recommendations for the surveying and installation of non-load bearing windows and external doorsets, to be installed vertically (within 15°) into the external face of buildings.

It gives guidance on the good practices for successful surveying and installation. All aspects of this document should be followed with particular attention given to the product's suitability for its location and the presence of any dead loads. If you are at all unsure then please contact your PatioMaster dealer.

Survey Notes

The manufacturing sizes should be determined by measuring the structural opening using the methods described in BS 8213-4:2007 Code of Practice for the Survey and Installation of Windows and External Doorsets.

However, the following fitting tolerances must be adhered to:

	DEDUCTION-WIDTH		DEDUCTION-HEIGHT
PROFILE	up to 3m	3m to 6.0m	up to 2.4m
WHITE	10mm	15mm	10mm
FOILED	15mm	22mm	15mm

N.B.: HEIGHT - consideration must also be given to fitting the new cill level, especially on wide openings.

Preparation of Structural Opening

Check that the opening is the correct size for the new frame (N.B.: For replacement work this should be done prior to removal). Check that any DPC's are sound and not "bridged" by any render or plaster. Check for the practicality of fixings to the lintels.

The base of the opening must be constructed of suitable structural material, e.g.: brick, block, stone, timber etc

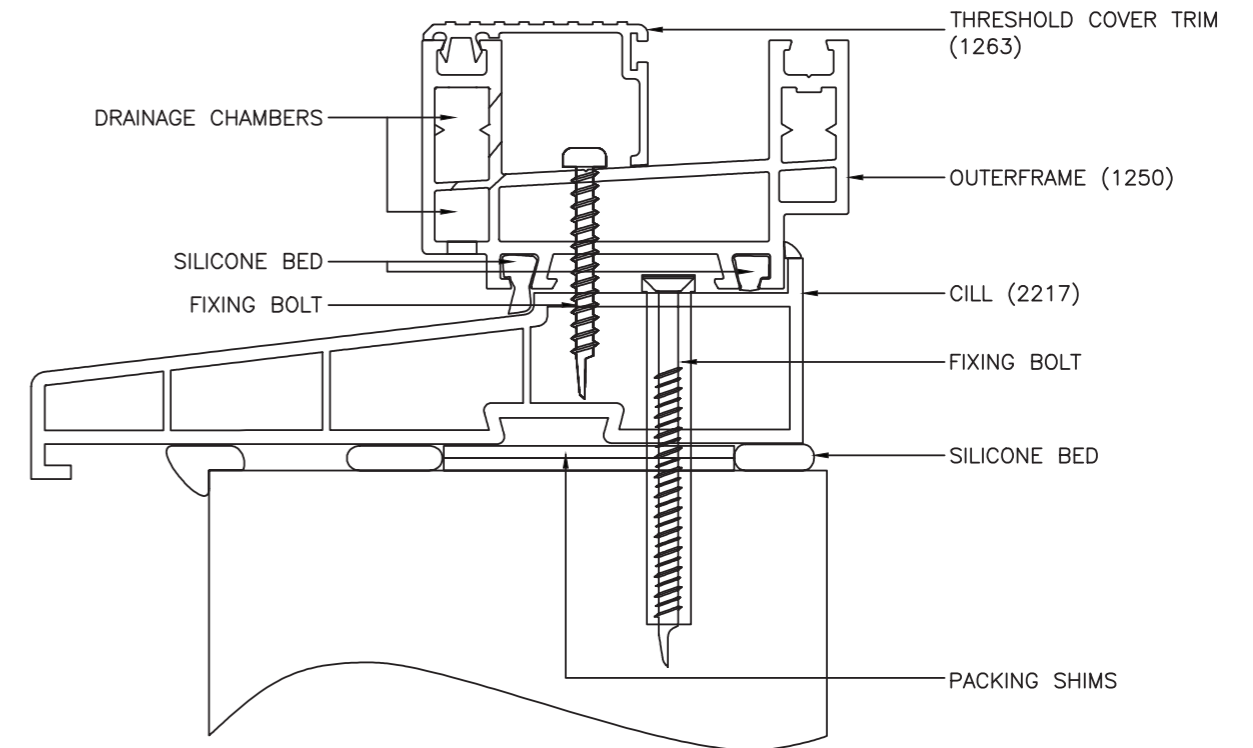
✓ In-line sliding patio door **Installing the frame**

SECTION	DATE	ISS.	REFERENCE	PAGE
SURVEY & INSTALLATION	MAY 2014	11	TM-0002	3

Installing the Frame

Fixing the Cill :-The method shown requires the cill to be fitted to the base of the opening making sure that the base is clean of loose debris and the DPC is intact, apply silicone bed as shown, making sure that the cill is level. Then fix with the appropriate frame fixings 200mm from each end at a maximum of 600mm centres (In accordance with BS 8213-4:2007). Finally fix frame to cill using 50mm self tapping screws.

Fixings Through Cill



✓ In-line sliding patio door **Installing the frame**

SECTION	DATE	ISS.	REFERENCE	PAGE
SURVEY & INSTALLATION	MAY 2014	11	TM-0002	4

Installing the Frame Continued

Fixing the Assembled Frame

N.B: It is better not to remove the fixed or sliding sashes from the outer frame prior to fixing. However on very large three or four pane units, it will make lifting easier if the sliding door/s are removed. The sash end cover profile (1289) will need to be removed in order to lift off the door/s.

IMPORTANT - Do not remove the fixed sashes, as these will not lift back in once the outer frame head and cill are fixed.

Carefully remove the outer frame cover trims to allow access for fixing bolts.

External (Outside the slider)

Remove head trim first using a sharp wide bladed tool to ease between the front lip and outer frame to gently work trim free. Remove jamb trim next working from the top. Finally remove aluminium threshold trim - N.B.: If this is removed before the jamb trim, it will scratch the surface of the plastic.

Internal (Inside the fixed sash)

Either - Remove bump stops and jamb trim OR unscrew fixed sash and slide back.

The cill should be packed and set level on a silicone or mortar bed and fixed to the base of the opening. Before doing this it is advisable to offer the frame in "dry" to ensure that there is sufficient tolerance to fit the frame square and plumb.

When ready to fit the frame, run a line of silicone to the top face of the cill and offer the frame back into position.

Use temporary wedges to set the frame square in the opening (use diagonal measurement across opposite corners of the outer frame to check).

Fix the bottom frame and cill first using fixing bolt centres.

Next pack and fix jambs plumb and true.

Fixings should be 200mm from top and bottom corners and no more than 600mm centres in between.

On the locking jambs, the intermediate fixings should be adjacent to the locking points.

The head can now be fixed using the same fixing distances as jambs. However, if head fixings are impracticable, and additional foam fixing is used (in accordance with BS 8214-4:2007), then fixings can be as described in 'Fixings Through Cill' section. Ensure that head is fixed level with no bow in either plane.

Re-fix the fixed sash/es if they were moved for jamb fixings. Ensure that the fixing to the head does not distort the frame, use packer (1204) between the fixed sash and outer frame.

Re-fit the jamb cover trims using the removal method in reverse. Cut and fit the drainage trim into the threshold behind the fixed sash.

Finally check that the door locks properly and is secure. Ensure that the location pin on the lock, just above the handle set, is centred on the hole provided in lock plate.

To check for plumb, slide the door almost closed, leaving a small gap. If the gap is not parallel, make any necessary adjustment by raising or lowering the rollers using a posidrive screwdriver, gaining access from the end of the sash (on the interlock side, part remove sash end cover).

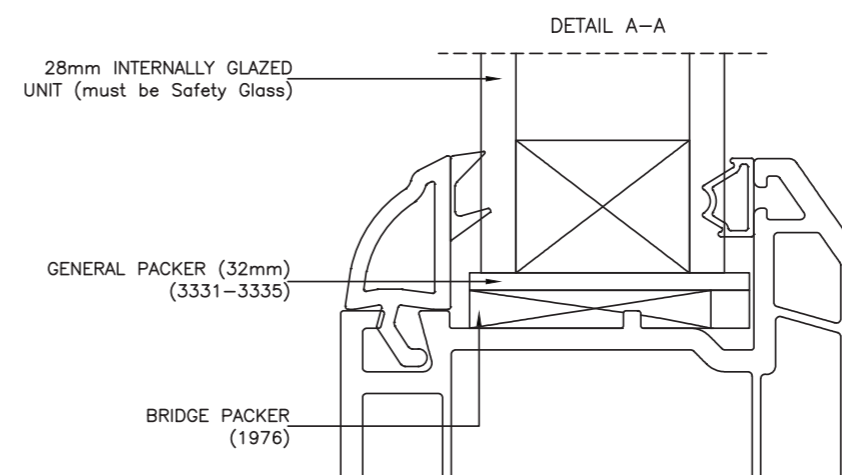
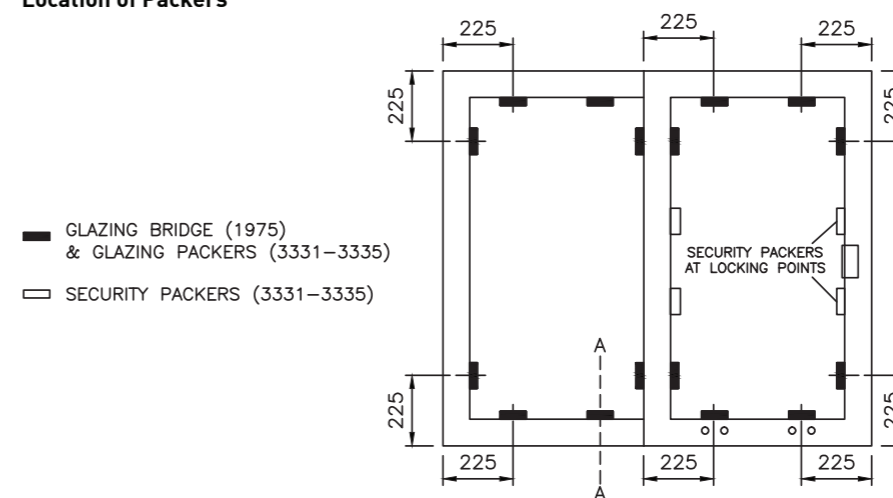
✓ In-line sliding patio door **Glazing**

SECTION	DATE	ISS.	REFERENCE	PAGE
SURVEY & INSTALLATION	MAY 2014	11	TM-0002	5

Glazing

Bridge packers (1975) should be positioned and glazing packers should be glued into position as shown, also additional security packers should be glued in position to the back of the intermediate locking points. Care should be taken not to bow the stiles of the sashes. Glaze up the fixed panel first as access is required through the slider to bead up the interlock stile.

Location of Packers



✓ In-line sliding patio door **Perimeter sealing**

SECTION	DATE	ISS.	REFERENCE	PAGE
SURVEY & INSTALLATION	MAY 2014	11	TM-0002	6

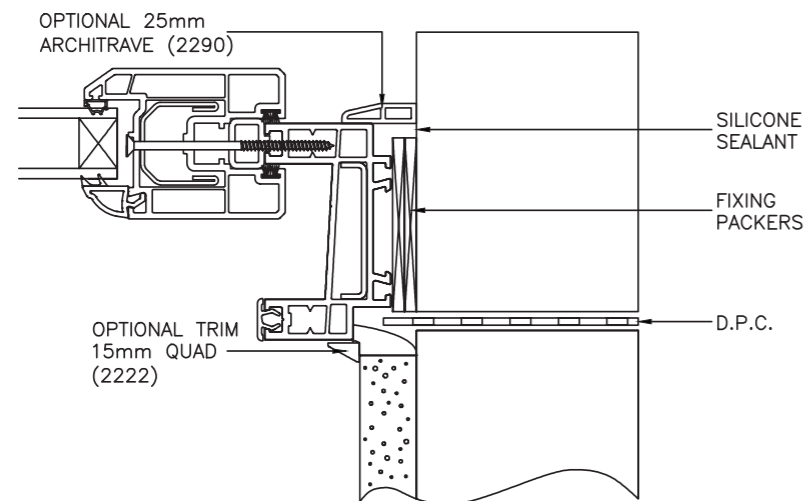
Perimeter Sealing

It is advisable to clean down the frame before sealing the perimeter.

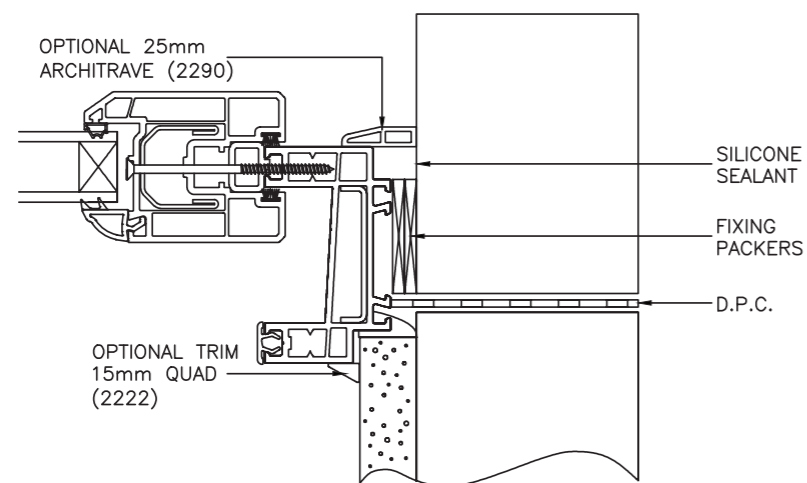
The gap between the outer frame and structure must be sealed using a suitable external grade sealant. 5-6mm gaps can be filled with sealant alone, however larger gaps may require the use of foam backing strips.

Perimeter Sealing

Standard Fitting Position



Frame Rebate Over Plaster Line



In some cases a small cover trim will be required to produce a neat finish.

If access allows, the gap below the cill should be pointed with sealant. If this is not possible, ensure that the cill has been set on a suitable silicone or mortar bed.

Dimensions in MM
All dimensions are nominal. DO NOT SCALE
TD-PD-0048

All information in this publication is provided for guidance only and is given in good faith. As it is company policy to continually improve products, methods and materials, changes of specification may be made from time to time without prior notice. This statement does not affect your statutory rights. ©SBP LTD.

✓ In-line sliding patio door **Assembling the frame**

SECTION	DATE	ISS.	REFERENCE	PAGE
SURVEY & INSTALLATION	MAY 2014	11	TM-0002	7

Assembling The Frame

Mechanically Jointed Option - Outer frames only

In most cases a patio requiring a mechanically jointed outer frame will be supplied fully fabricated. This ensures the patio is supplied complete and to the correct size and specification. It also avoids any unnecessary amount of on-site assembly and allows the installers to see how the finished product goes together. However, should a patio be supplied in kit form then refer to the following assembly instructions.

Outer Frame Corner Cleat

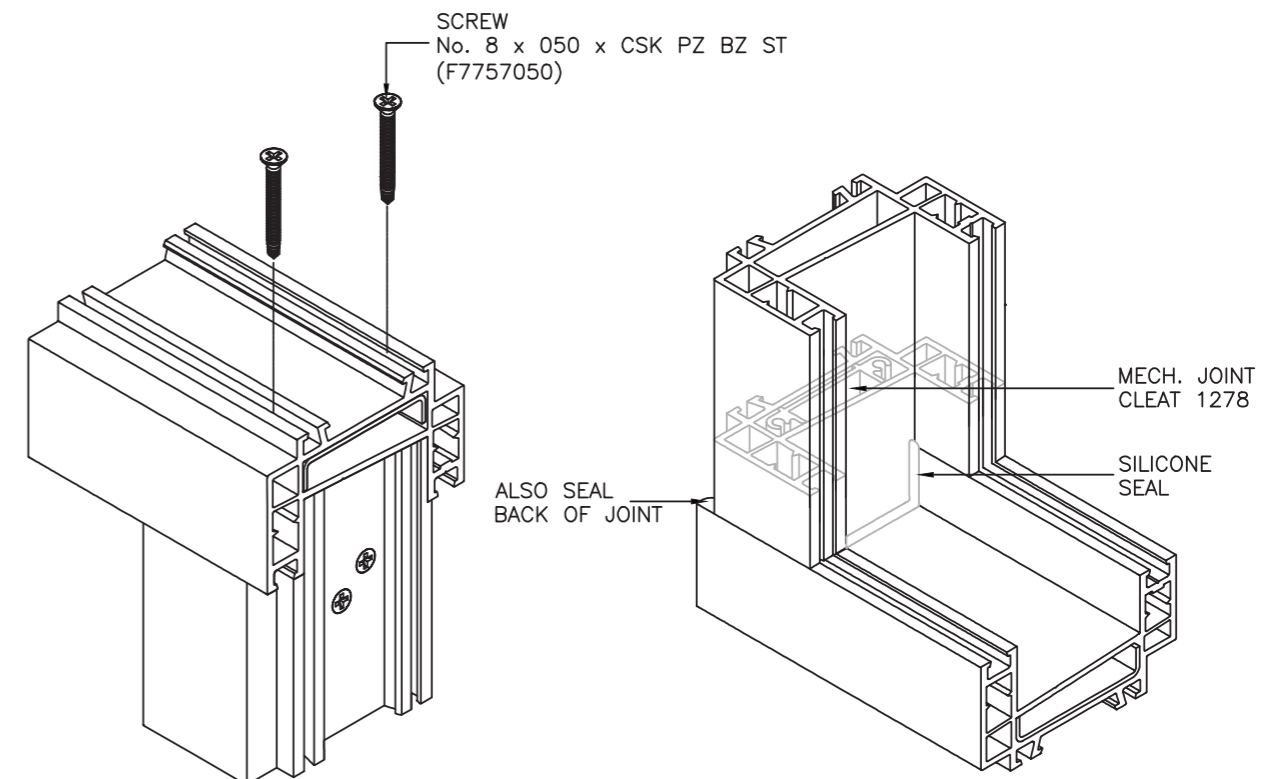
The cleat is pre-assembled into the frame profile. Lay the outer frame down on a suitable surface, making sure the rebates (outside) are all to one side, and that on a two pane door the lock plate jamb is on the correct side. Offer one corner together making the ribs on the back of the jambs line up with the new head (or cill) profile.

Secure & Sealing of Corners

Secure joint as shown.

Screw 2 off 50mm (F7757050) self tapping screws into cleat, pulling the corner tightly together.

Seal inside and outside of joint using clear silicone sealant.



Dimensions in MM
All dimensions are nominal. DO NOT SCALE
TD-PD-0049

All information in this publication is provided for guidance only and is given in good faith. As it is company policy to continually improve products, methods and materials, changes of specification may be made from time to time without prior notice. This statement does not affect your statutory rights. ©SBP LTD.

 In-line sliding patio door **Assembling the frame**

SECTION	DATE	ISS.	REFERENCE	PAGE
SURVEY & INSTALLATION	MAY 2014	11	TM-0002	8

Assembling the Frame Continued

Fixed Sashes

Stand the frame up against a suitable wall, and lift in the fixed sash/es by "springing" the head and cill in the middle of the frame.

At this stage the assembled frame can be installed into the structural opening.

Once the frame has been fixed, the fixed sash/es can be screwed to the outer frame through the pre-drilled holes using the 100mm tapcon screws supplied. Fit the brush sealing pads into the outer frame, centred above and below where the sashes couple together.

Bump Stops

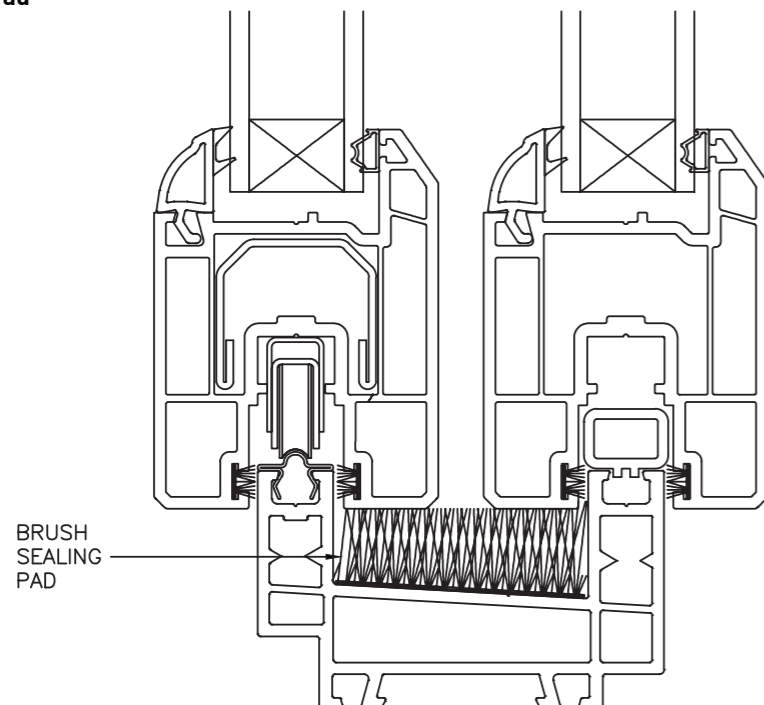
Locate the back of the bump stop into the dovetail channel of the outer frame upstand and with a rubber mallet secure into position.

Trims

Fit the jamb cover (1253) trims first, then fit the head (1253) and black threshold (1263)* trims using a rubber mallet to tap trim into the outside dovetail. Next fit the dovetail closure profile(1254) to the inside head dovetail and fit the stainless steel track to the inside dovetail at the bottom using a rubber mallet. Finally to cover drainage hole detail - insert Drainage Cover Trim (1255) into the inside channel of the outer frame (Cill) section, behind the fixed panel.

*For (L) 1334 Low Threshold fit L1335 Threshold Trim.

Brush Sealing Pad



Dimensions in MM
All dimensions are nominal. DO NOT SCALE
TD-PD-0050

All information in this publication is provided for guidance only and is given in good faith. As it is company policy to continually improve products, methods and materials, changes of specification may be made from time to time without prior notice. This statement does not affect your statutory rights. ©SBP LTD.

 In-line sliding patio door **Assembling the frame**

SECTION	DATE	ISS.	REFERENCE	PAGE
SURVEY & INSTALLATION	MAY 2014	11	TM-0002	9

Assembling the Frame Continued

Sliding Door(s)

Remove the sash end cover profile from the sash. Push the sash up into position at the head and lift the bottom over the track and let the sash drop into position on the track. Fit the handle set on the sash checking that the lock is in the unlocked position and the lever on the handle set is positioned as shown.

Once the final adjustments to the door have been completed and you have checked that the door locks correctly, you can replace the sash end cover profile.

Meeting Profile (3 and 4 pane doors only)

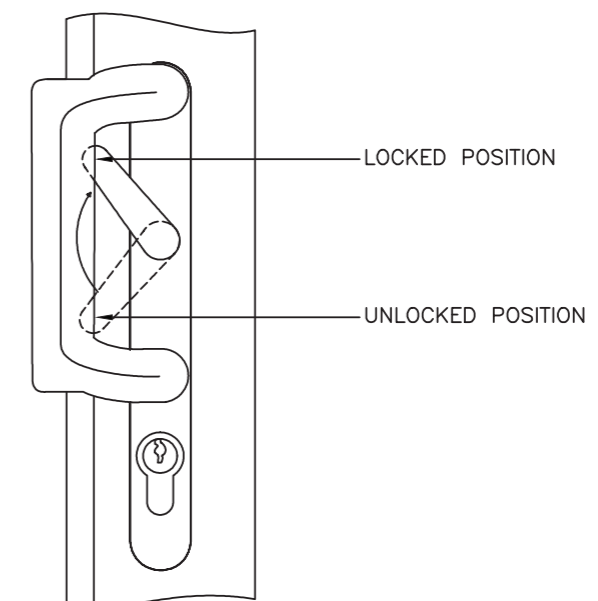
Adjust both doors so that they are square and parallel with each other. Cut the meeting profile 16mm shorter than sash height. Fix centrally to meeting stile of slave door using 55mm screws supplied. Fit end caps (1270) to top and bottom of the sash meeting profile using a proprietary PVC-U glue. Fit lock plate as stated.

Lock Plate

Slide the door to a closed position. Mark the lock centre, as shown on the lock face plate, on the outer frame (for 3 and 4 pane doors see meeting profile) Offer the lock plate to the outer frame, making sure that the end caps are fitted, and line up the lock centre line with the horizontal line on the centre of the hook lock keep plate (keeping the words Patiomaster above and below the line. Fix using 8 off screws supplied. Fit closure profile (1254) above and below the lock plate.

Check that the door locks correctly and is square within the frame. Make any adjustments necessary by raising or lowering the rollers using a long shaft posidrive screwdriver, gaining access from the end of the sash. Fit the sash end closure profile.

Locking Positions of the Patio Door Handle

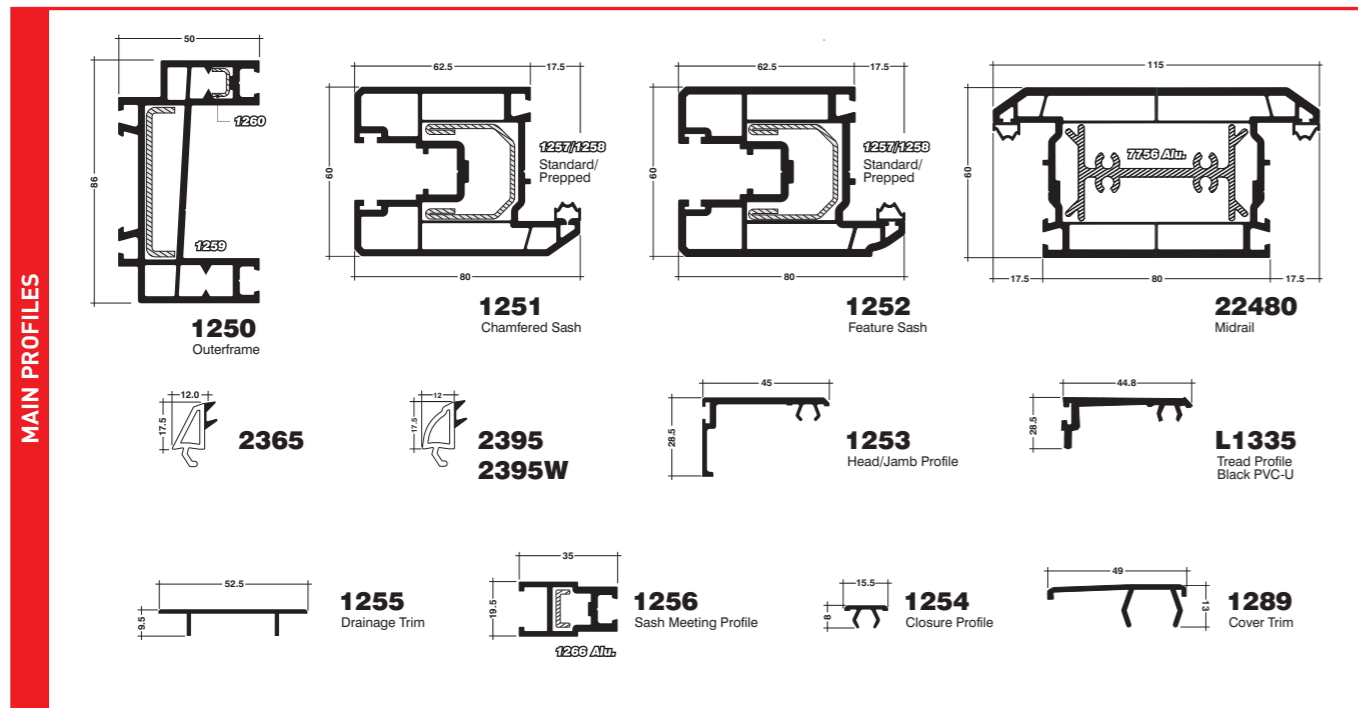


Dimensions in MM
All dimensions are nominal. DO NOT SCALE
TD-PD-0051

All information in this publication is provided for guidance only and is given in good faith. As it is company policy to continually improve products, methods and materials, changes of specification may be made from time to time without prior notice. This statement does not affect your statutory rights. ©SBP LTD.

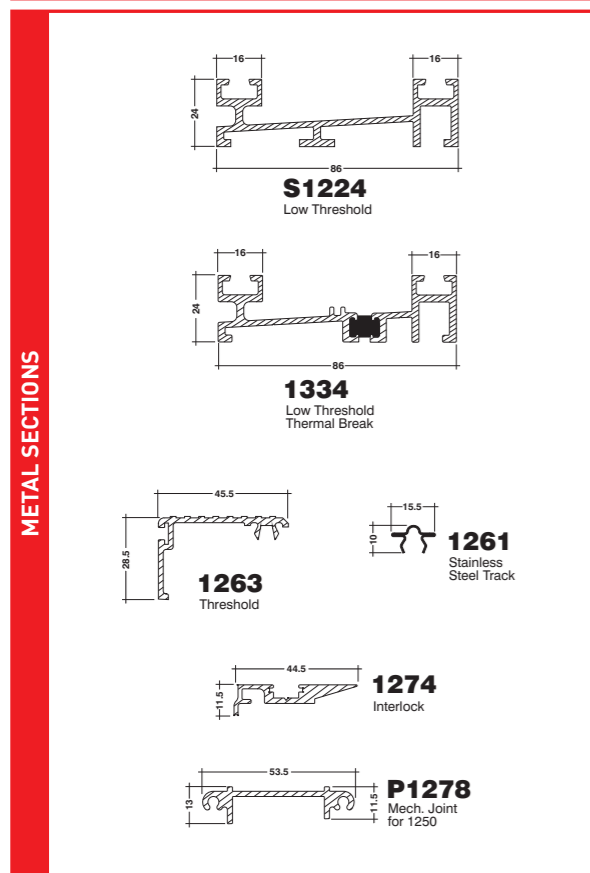
 In-line sliding patio door **Identification Chart**

MAIN PROFILES



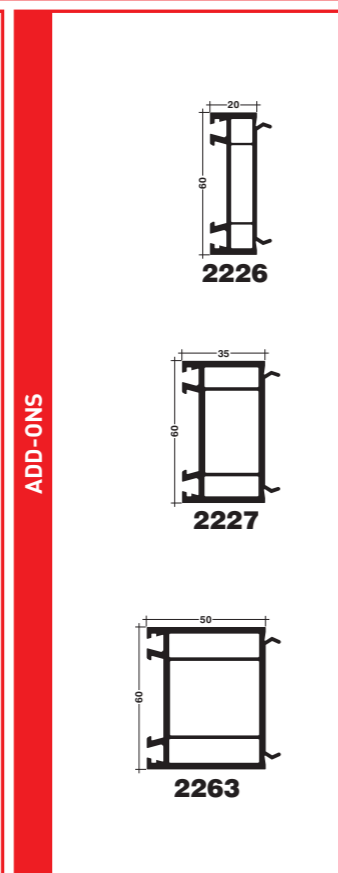
1250 Outerframe
1251 Chamfered Sash
1252 Feature Sash
22480 Midrail
2365
2395 2395W
1253 Head/Jamb Profile
L1335 Tread Profile Black PVC-U
1255 Drainage Trim
1256 Sash Meeting Profile
1254 Closure Profile
1289 Cover Trim

METAL SECTIONS



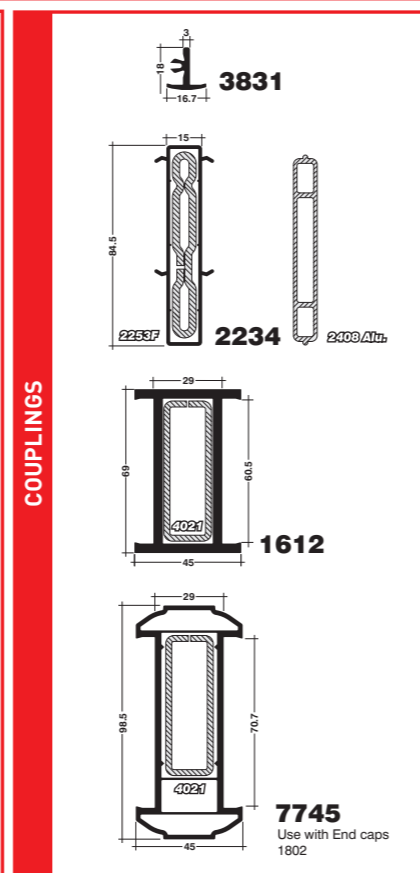
S1224 Low Threshold
1334 Low Threshold Thermal Break
1263 Threshold
1261 Stainless Steel Track
1274 Interlock
P1278 Mech. Joint for 1250

ADD-ONS



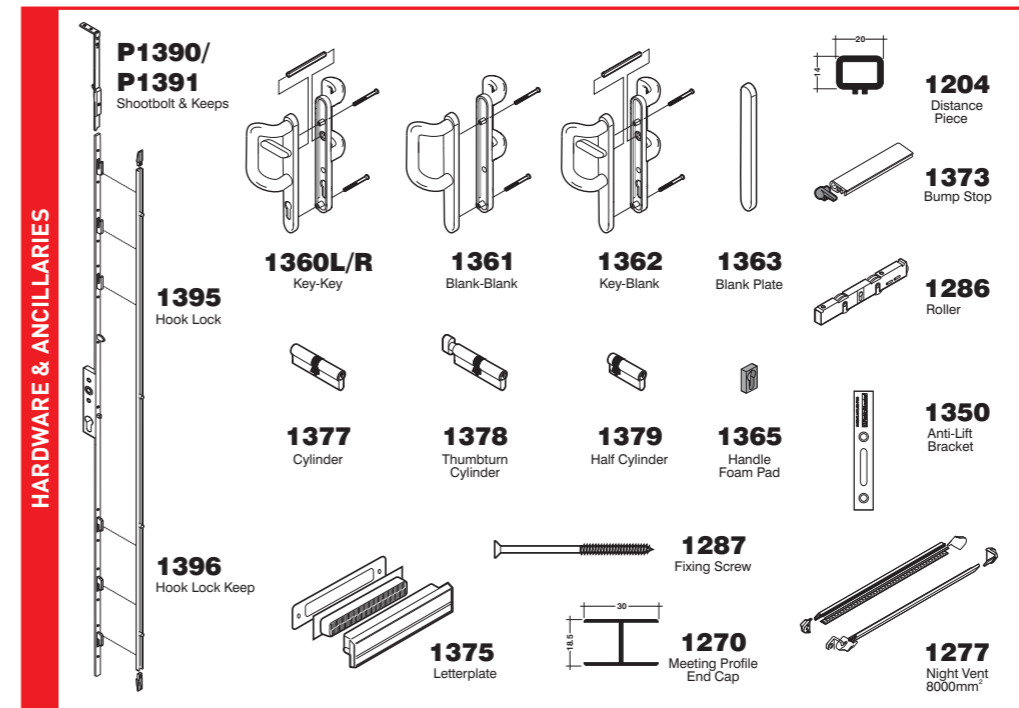
2226
2227
2263

COUPLINGS



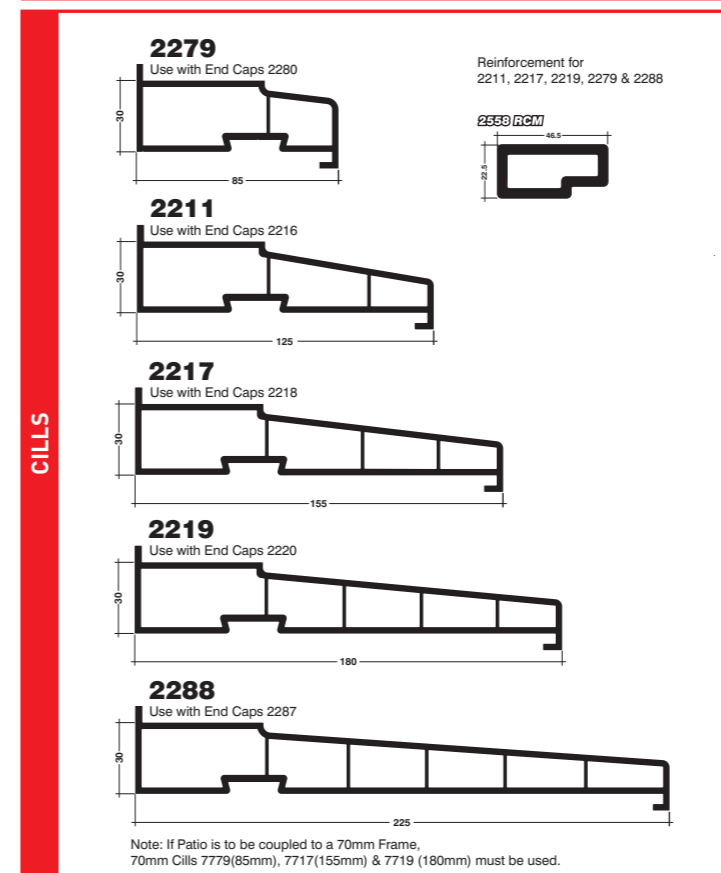
3831
2234 2400 Alt.
1612
7745 Use with End caps 1802

HARDWARE & ANCILLARIES



P1390/P1391 Shootbolt & Keeps
1395 Hook Lock
1360L/R Key-Key
1361 Blank-Blank
1362 Key-Blank
1363 Blank Plate
1204 Distance Piece
1373 Bump Stop
1286 Roller
1377 Cylinder
1378 Thumbturn Cylinder
1379 Half Cylinder
1365 Handle Foam Pad
1350 Anti-Lift Bracket
1287 Fixing Screw
1396 Hook Lock Keep
1375 Letterplate
1270 Meeting Profile End Cap
1277 Night Vent 8000mm²

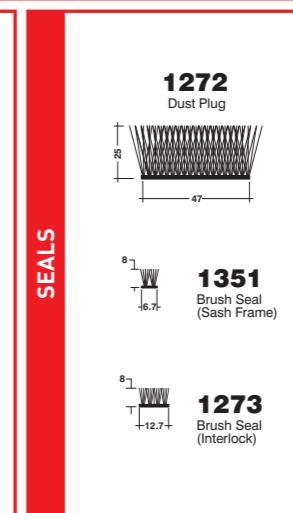
CILLS



2279 Use with End Caps 2280
2211 Use with End Caps 2216
2217 Use with End Caps 2218
2219 Use with End Caps 2220
2288 Use with End Caps 2287
Reinforcement for 2211, 2217, 2219, 2279 & 2288
2550 RCM

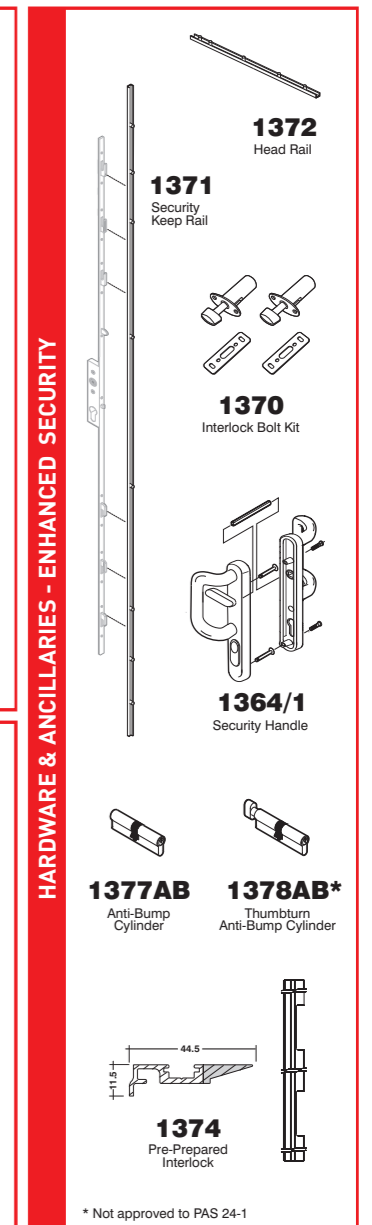
Note: If Patio is to be coupled to a 70mm Frame, 70mm Cills 7779(85mm), 7717(155mm) & 7719 (180mm) must be used.

SEALS



1272 Dust Plug
1351 Brush Seal (Sash Frame)
1273 Brush Seal (Interlock)

HARDWARE & ANCILLARIES - ENHANCED SECURITY



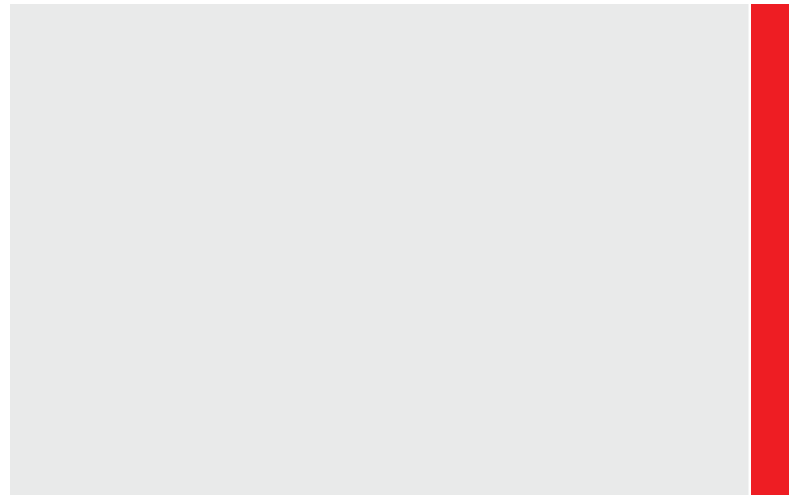
1372 Head Rail
1371 Security Keep Rail
1370 Interlock Bolt Kit
1364/1 Security Handle
1377AB Anti-Bump Cylinder
1378AB* Thumbturn Anti-Bump Cylinder
1374 Pre-Prepared Interlock

* Not approved to PAS 24-1

Note:- This chart is for identification purposes only and should not be used as the source for Technical reference. All profile dimensions are Nominal, DO NOT SCALE
TD-10-0008-1-10\05-14

All information in this publication is provided for guidance only and is given in good faith. As it is company policy to continually improve products, methods and materials, changes of specification may be made from time to time without prior notice. This statement does not affect your statutory rights. ©SBP LTD.

If you require any further help or assistance please
contact your dedicated supplier below:



www.patiomaster.co.uk



'PatioMaster' is a trading name of Specialist Building Products Limited. PatioMaster cannot be held accountable for manufacture or installation by independent companies. All information in this publication is provided for guidance only and is given in good faith. As it is company policy to continually improve products, methods and materials, changes of specification may be made from time to time without prior notice. This statement does not affect your statutory rights. © PatioMaster